



Office de la Propriété
Intellectuelle
du Canada

Un organisme
d'Industrie Canada

Canadian
Intellectual Property
Office

An agency of
Industry Canada

CA 2145542 C 2002/05/07

(11)(21) 2 145 542

(12) BREVET CANADIEN
CANADIAN PATENT

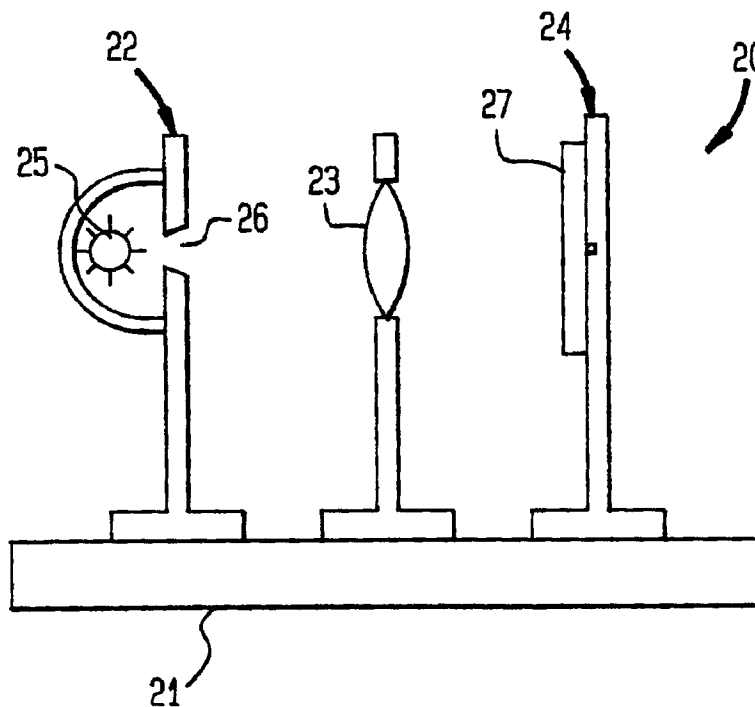
(13) C

Re-Examination

(86) Date de dépôt PCT/PCT Filing Date: 1993/10/13
 (87) Date publication PCT/PCT Publication Date: 1994/04/28
 (45) Date de délivrance/Issue Date: 2002/05/07
 (85) Entrée phase nationale/National Entry: 1995/03/24
 (86) N° demande PCT/PCT Application No.: US 1993/009757
 (87) N° publication PCT/PCT Publication No.: 1994/009396
 (30) Priorité/Priority: 1992/10/20 (963,839) US

(51) Cl.Int.⁶/Int.Cl.⁶ G02B 5/18, G02B 6/16
 (72) Inventeurs/Inventors:
 Snitzer, Elias, US;
 Prohaska, John Dennis, US
 (73) Propriétaire/Owner:
 CORNING, INC., US
 (74) Agent: SWABEY OGILVY RENAULT

(54) Titre : RESEAU DE BRAGG INCORPORE A UN GUIDE DE LUMIERE
 (54) Title: BRAGG GRATING MADE IN OPTICAL WAVEGUIDE



(57) Abrégé/Abstract:

A bragg grating is made in an optical path composed of material exhibiting change in index when exposed to radiation of an actuating frequency by passing radiation from a source of such actuating frequency through a mask with periodic variation in transmission, phase, or other optical properties to expose the material of the path to a diffraction pattern.

Canada

<http://opic.gc.ca> · Ottawa-Hull K1A 0C9 · <http://cipo.gc.ca>

OPIC · CIPO 191

OPIC



CIPO



**BUREAU DES BREVETS
CONSTAT DE RÉEXAMEN**

**PATENT OFFICE
CERTIFICATE OF RE-EXAMINATION**

N° de brevet - Patent No: **2,145,542**

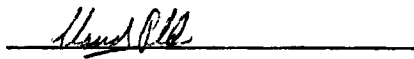
Par la présente, les soussignés certifient que le brevet susmentionné a été réexaminé selon les paragraphes 48.1 à 48.3 de la *Loi sur les brevets* et que le Conseil de réexamen convient de ce qui suit:

The undersigned hereby certify that the above-noted patent has been re-examined pursuant to section 48.1 to 48.3 of the *Patent Act* and that the Re-examination Board has determined the following:

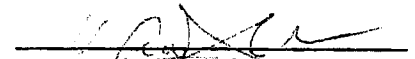
- (i) La/les revendication(s) _____ du brevet susmentionné est/sont non brevetable(s) et est/sont rejetée(s).
Claim(s) Is/are unpatentable and is/are cancelled from the above noted patent.
- (ii) La/les revendication(s) 2,5,6,8,9,10 and 11 du brevet susmentionné est/sont brevetable(s).
Claim(s) (now 2,4,5,7,8,9 and 10) of the above noted patent is/are hereby confirmed to be patentable.
- (iii) La/les revendication(s) 1,4,7,12,15,16,17 est/sont brevetable(s) et fait/font partie du
modifiée(s) and 18 brevet susmentionné à ce jour.
Amended claim(s) (now 1,3,6,11,12, 13,14,and 15) is/are patentable and has/have been incorporated into the above noted patent as of this date.
- (iv) La/Les nouvelle(s) _____ est/sont brevetable(s) et fait/font partie du
revendication(s) _____ brevet susmentionné à compter de ce jour.
New claim(s) is/are patentable and has/have been incorporated into the above noted patent as of this date.



Membre
Member



Membre
Member



Membre
Member

Daté à Gatineau (Québec), ce _____ jour de _____
Dated at Gatineau, Quebec, this 10th day of November 2003.



Office de la propriété
intellectuelle
du Canada

Un organisme
d'Industrie Canada
www.opic.gc.ca

Canadian
Intellectual Property
Office

An Agency of
Industry Canada
www.cipo.gc.ca

November 12, 2003

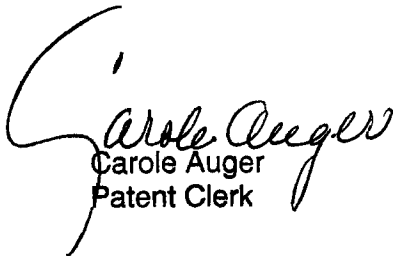
OGILVY RENAULT

1600 - 1981 McGill College Avenue
MONTREAL Quebec
H3A 2Y3

Patent No. : **2,145,542**
Issued : **May 7, 2002**
Owner : **CORNING, INC.**
Your File No. : **9-12252-5CA**

Dear Sir/Madam:

Please find enclosed your registration certificate number 5246267 for your Re-Examination.


Carole Auger
Patent Clerk



Office de la propriété
intellectuelle
du Canada

Un organisme
d'Industrie Canada
www.opic.gc.ca

Canadian
Intellectual Property
Office

An Agency of
Industry Canada
www.cipo.gc.ca

OGILVY RENAULT
1600 - 1981 McGill College Avenue
MONTREAL Quebec
H3A 2Y3

Date : 2003/11/12

Votre référence/Your Reference :

ENREGISTREMENT/REGISTRATION 05246267

AUTRE DOCUMENT
OTHER DOCUMENT

Un document a été enregistré au Bureau des brevets, visant le ou les numéros de brevet(s) et/ou de demande(s) de brevet, apparaissant ci-dessous.

BREVET(S)/PATENT(S)

2,145,542

A document has been registered in the Patent Office, against the following patent(s) and/or application(s) for patent.

C. AUGER

Commis aux cessions de brevets/Patent Assignment Clerk

Canada

OPIC  CIP