



US00D430817S

United States Patent [19]
Salandra

[11] **Patent Number: Des. 430,817**
[45] **Date of Patent: ** Sep. 12, 2000**

[54] **HALLOWEEN TRICK OR TREAT ARTIFICIAL TREE**

5,489,452 2/1996 Case, Jr. .
5,584,741 12/1996 Cheung .

[76] Inventor: **Anthony J. Salandra**, 1396
Springwood Trace, SE. Warren, Ohio
44484-3145

FOREIGN PATENT DOCUMENTS

WO 97/19625 6/1997 WIPO .

[**] Term: **14 Years**

OTHER PUBLICATIONS

Halloween In America by Stuart Schneider; p. 101, Table Cover (top right), Jan. 1995.

[21] Appl. No.: **29/112,503**

Primary Examiner—Dominic Simone

[22] Filed: **Oct. 18, 1999**

[57] **CLAIM**

[51] **LOC (7) Cl.** **11-05**

[52] **U.S. Cl.** **D11/121; D11/125; D11/128**

[58] **Field of Search** D11/117, 118,
D11/121, 125, 128; 428/7-9, 18-20

The ornamental design for a Halloween trick or treat artificial tree, as shown and described.

DESCRIPTION

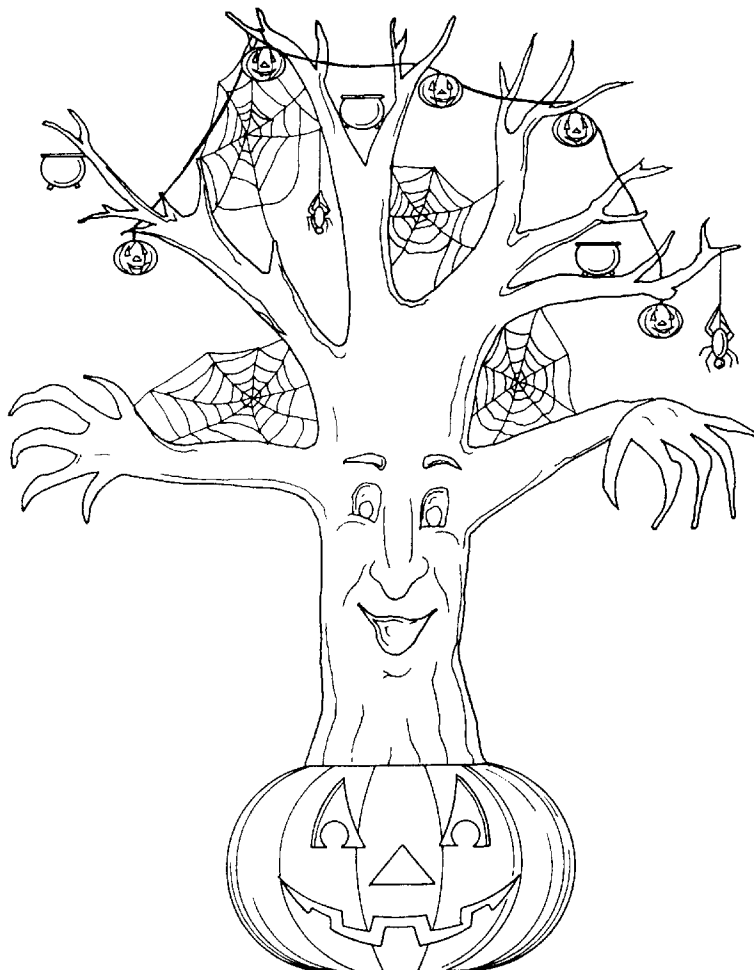
[56] **References Cited**

FIG. 1 is a front elevational view of the Halloween trick or treat artificial tree showing my design;
FIG. 2 is a rear elevational view thereof;
FIG. 3 is a left side elevational view thereof;
FIG. 4 is a right side elevational view thereof;
FIG. 5 is a top plan view thereof; and,
FIG. 6 is a bottom plan view thereof.

U.S. PATENT DOCUMENTS

- D. 262,097 12/1981 Weixelman .
- D. 384,253 9/1997 D'Abarno D11/118
- D. 388,359 12/1997 Shaw D11/125
- D. 413,833 9/1999 Hollinger D28/125
- 1,971,300 8/1934 Garrett .
- 3,967,019 6/1976 Magee .

1 Claim, 3 Drawing Sheets



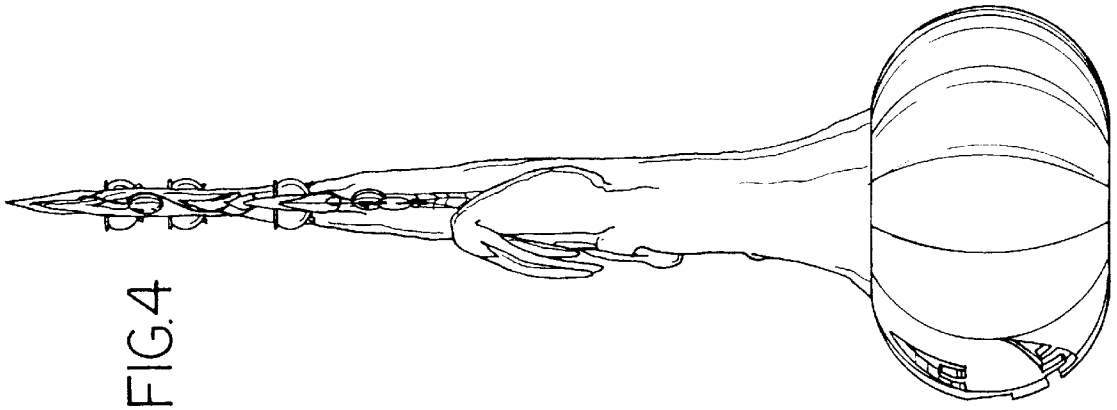


FIG. 4

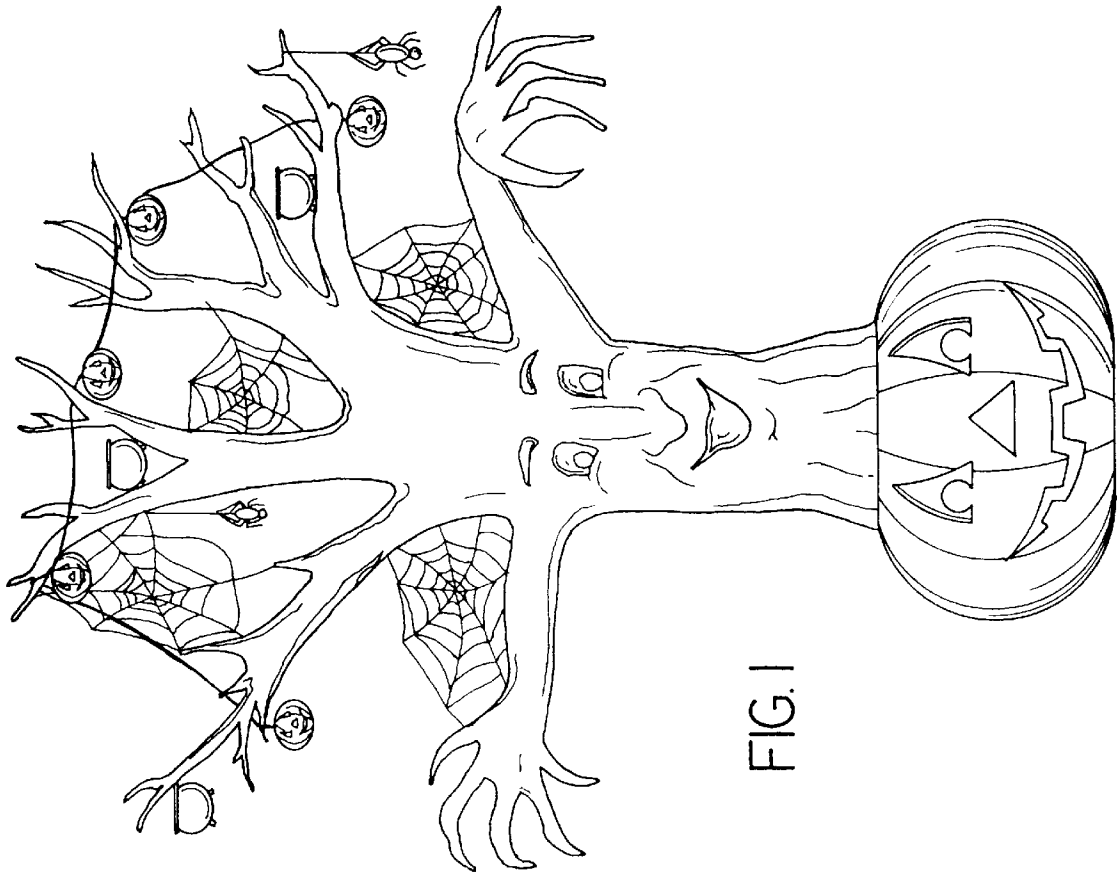


FIG. 1

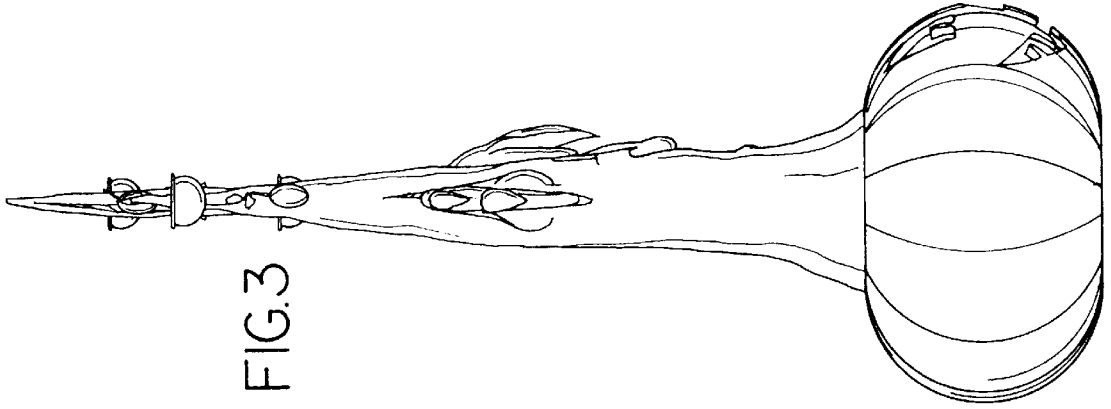


FIG. 3

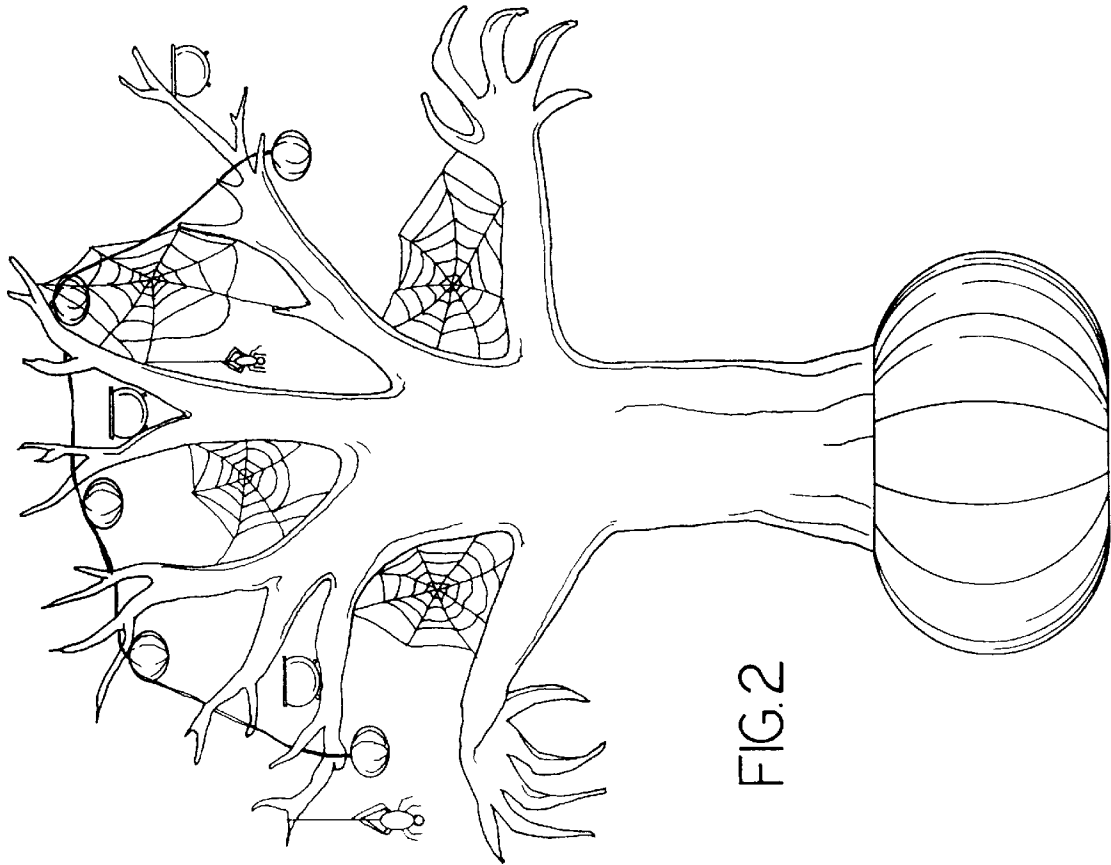


FIG. 2

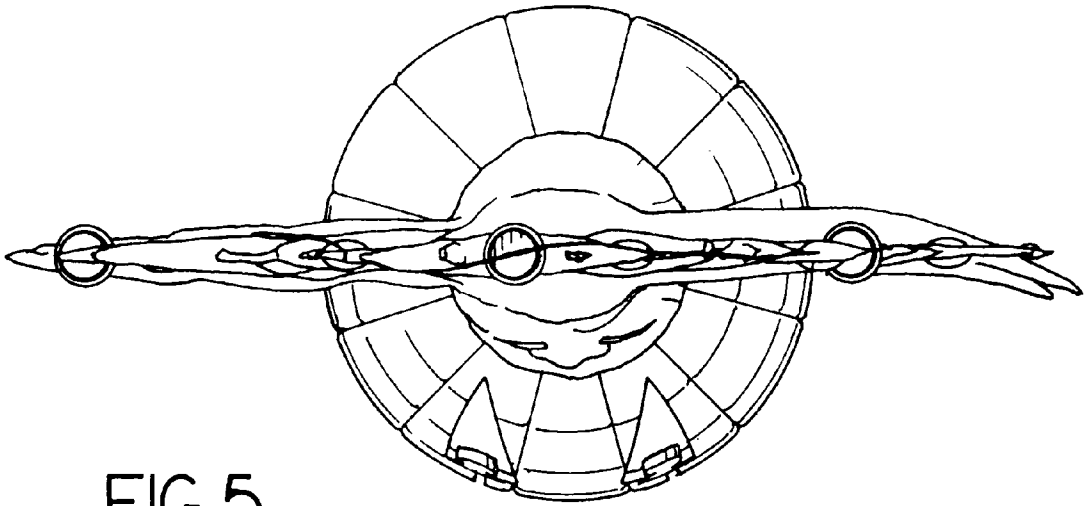


FIG. 5

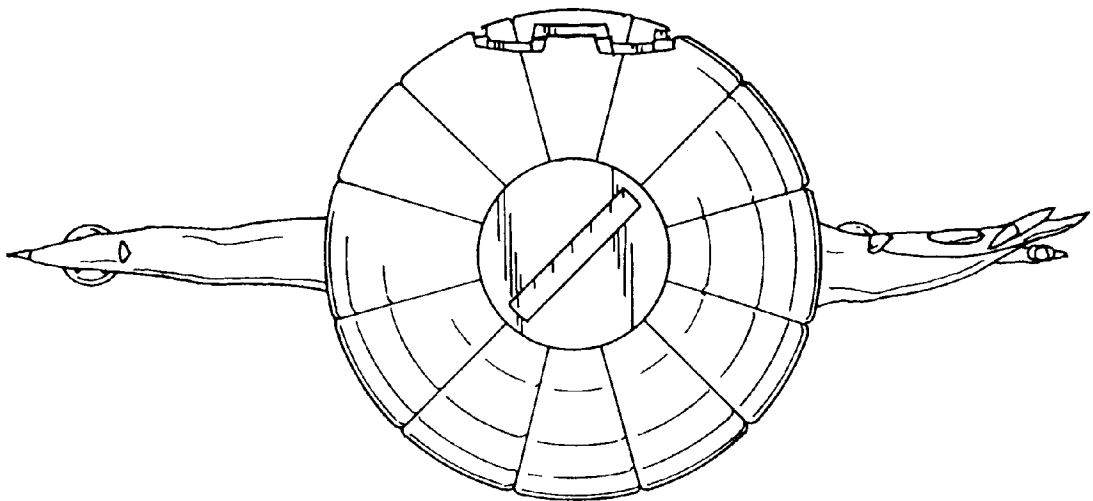


FIG. 6